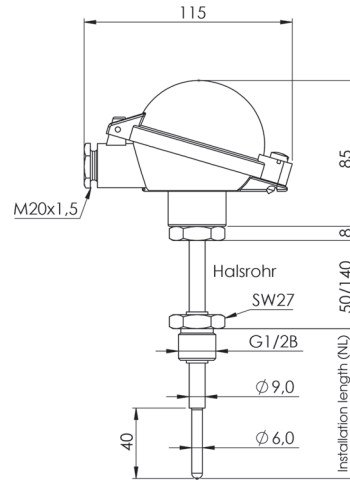


Product Information

Safety Thermocouple Sensor TC296



Dimensions



Ordering code

1. 2. 3. 4. 5. 6. 7. 8. 9.
 - - - - - - - - -

Characteristics

- Fast response sensor for measurement in water, oil and air
- Certified as Sensor for Safety Temperature Limiters STL50 (exhaust gas excluded), acc. to DIN EN 14597 (substitute DIN 3440)
- Ex certified to ATEX Ex-i GD for gases and dust
- Sensor with 2 x thermocouples J, K or N, isolated and replaceable
- Max. operating temperature depends to the thermocouple
- Process pressure 40 bar
- Protection tube D = 9/6mm, Inconel 600 W-No. 2.4816
- Process connection G 1/2 B
- Terminal head BSZ (Aluminum) IP65 with snap-lid

Temperature equalization

The 63.2 % step-response time of temperature variation at the probe tip will be:

Medium	T63.2%
Water	typical 20 s
Oil	typical 30 s
Air	typical 85 s

1. Type	TC296
2. Variation	00 Standard
Ex	Ex certified acc. to ATEX Ex-i GD
3. Double-thermocouple	
2J	type J (Fe-CuNi) operating temperature -100..+600 °C cable color black(+), white(-)
2K	type K (NiCr-Ni) operating temperature -100..+900 °C cable color green(+), white(-)
2N	type N (NiCrSi-NiSi) operating temperature -100..+1000 °C cable color pink(+), white(-)
4. Protection tube diameter	9/6 9mm to 6mm reduced
5. Neck pipe length	50 50 mm
140	140 mm
XX	custom neck pipe
6. Installation length NL	100 100 mm
160	160 mm
250	250 mm
400	400 mm
600	600 mm
XX	custom length
7. Process connection	G 1/2 B
8. Terminal head	BSZ with snap-lid (Aluminum)
9. Max. operating temperature	see Thermocouple

(Custom variation on request)